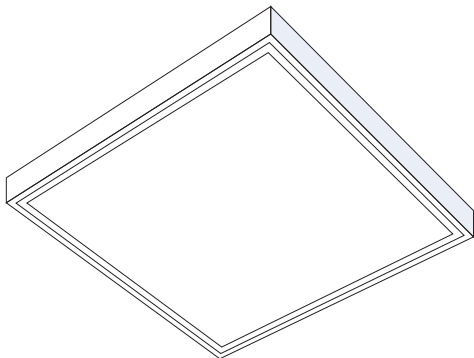
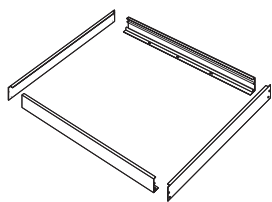


## SURFACE MOUNT KIT LR24096, LR24097, LR24098

### INSTALLATION INSTRUCTIONS



### BOX CONTENTS



(1) FRAME - 4 PIECE



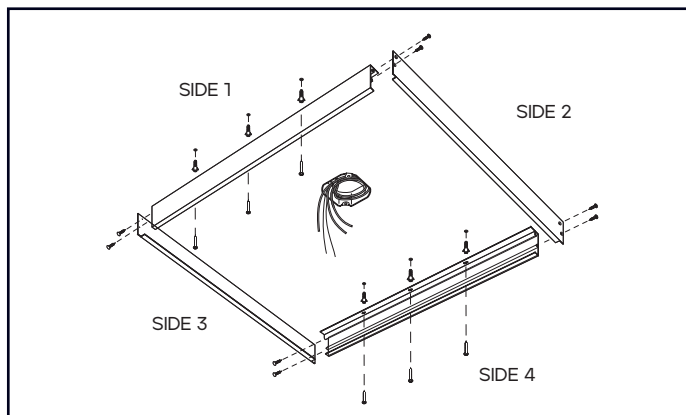
CEILING ANCHORS AND  
SCREWS 2X2 = 6 SETS  
1X4 & 2X4 = 8 SETS



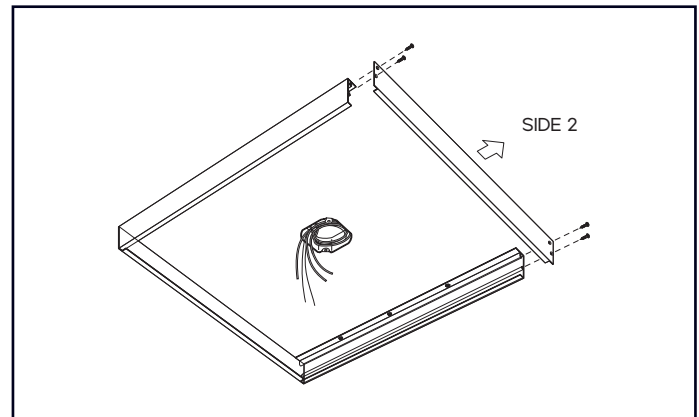
(8) FRAME SCREWS

BEFORE BEGINNING INSTALLATION, CAREFULLY REMOVE ACCESSORY PARTS FROM PACKAGING, INSPECT AND ENSURE ALL PIECES ARE ACCOUNTED FOR.

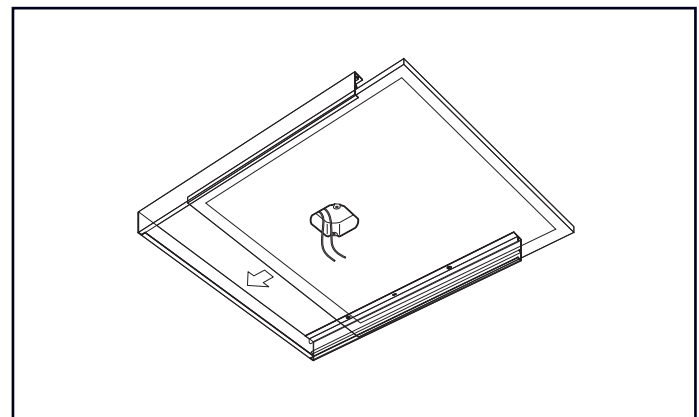
1. TURN OFF POWER.
2. ASSEMBLE ALL FOUR PARTS OF FRAME USING THE INCLUDED FRAME SCREWS.
3. ATTACH FRAME TO CEILING USING INCLUDED CEILING ANCHORS AND SCREWS.



4. ONCE MOUNTED TO CEILING, UNSCREW AND REMOVE SIDE 2.



5. INSERT PANEL INTO LOWER SLOT ON THE FRAME.  
NOTE: YOU WILL HAVE LIMITED SPACE BETWEEN THE PANEL AND CEILING. MAKE WIRING CONNECTIONS TO THE DRIVER, THEN SLIDE THE PANEL INTO THE FRAME.



6. RE-ATTACH SIDE 2 AND SECURE WITH INCLUDED FRAME SCREWS.

7. TURN ON POWER. INSTALLATION IS NOW COMPLETE.

