

## Severe™ XVHZ & XVEHZ Series

Class I Division 2, Groups A, B, C and D, hazardous location exit sign



### Severe™ Class I, Division 2 Family



Severe™ XVH Combo series  
PG. 54-55



Severe™ VH Battery unit  
PG. 112-113



Severe™ ELF651  
Remote series PG. 140-141

#### Construction

- Fully gasketed housing frame
- Faceplate: heavy-duty, vandal-resistant polycarbonate
- Backplate: heavy-duty aluminum
- Stainless steel tamper-proof screws
- 6 inch EXIT lettering legend, available in red or green
- Field-selectable chevrons

#### Mounting

- Surface mount
- Junction box included for wall, end or ceiling mount applications
- 1/2 inch conduit knock-out entry on top and sides.

#### Special Wording Panels

Available. Contact your sales representative with your design requirements

#### Electronics

- Magnetic test switch
- Standard Improved Diagnostics (non-audible)
- Optional Nexus® monitoring system
- 120/277 60Hz
- Compatible with Lightalarms Mini Inverters (contact your sales representative for more information)

#### Approvals

- CSA-US (To UL 924 standards)
- Evaluated to the UL 844 standard for Class I Division 2, Groups A, B, C and D
- NEC, OSHA and NEMA compliant for Class I Division 2, Groups A, B, C and D
- Self-powered model damp and wet location 50°F to 104°F (10°C to 40°C)
- AC/DC model -40°F to 104°F (-40°C to 40°C)
- Meets NFPA101 (Life Safety Code), NFPA 70-NEC and OSHA illumination standards
- E-California Energy Commission Title 20

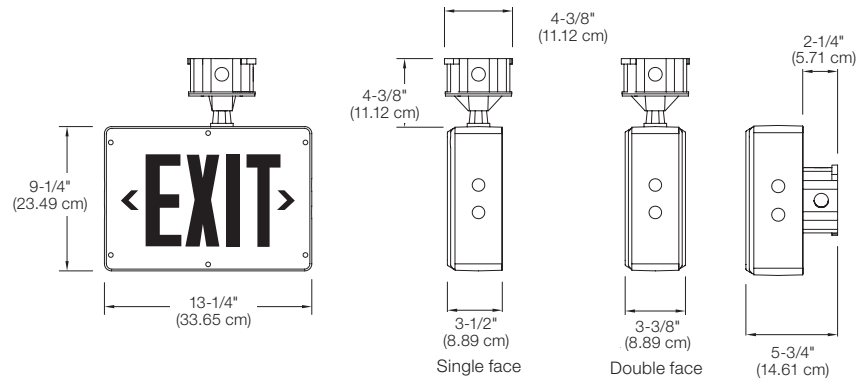
#### Warranty (subject to proper installation and maintenance)

Five-year limited warranty

Detailed warranty terms located on **page 197** or online at: [www.lightalarms.com](http://www.lightalarms.com)



**Dimensions** (Dimensions are approximate and subject to change):



**Power consumption chart**

Model	AC Specs	DC Specs
AC/DC red	120-277VAC (Less than 2W)	6-24 VDC
AC/DC green	120-277VAC (Less than 1.5W)	6-24 VDC
Self-powered red	120-277VAC (Less than 2W)	Nickel-cadmium battery (Min. 90 mins.)
Self-powered green	120-277VAC (Less than 2.5W)	Nickel-cadmium battery (Min. 90 mins.)

**Accessories** (Order as a separate item)

Description	Product code
Tamper-Proof Bit (Extra)	690.0454-L

**Ordering format**

Housing/ Face color	Series	Faces	Legend color	Diagnostic	Options
<b>GG</b> = Gray/Gray	<b>XVHZ</b> = AC/DC <b>XVEHZ</b> = Self-Powered	<b>1</b> = Single face <b>2</b> = Double face	<b>R</b> = Red <b>G</b> = Green	<b>Blank</b> = AC/DC Models <b>-D</b> = Improved Diagnostics (included standard non audible) <sup>1</sup> <b>-NEXRF</b> = Nexus® Wireless <sup>1</sup> (consult your sales representative)	<b>CW</b> = Cold weather -4°F to +104°F (-20°C to +40°C) <sup>1</sup>

**Example: GGXVEHZ2R-DCW**

<sup>1</sup> Available with Self-Powered models only