

4", 6" LED DISK LIGHT - ADJUSTABLE PIR SENSOR LR23881, LR23882

IMPORTANT:

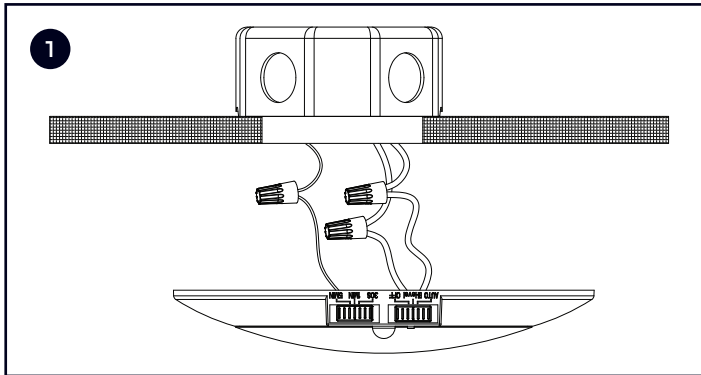
READ ALL INSTRUCTIONS BEFORE INSTALLING FIXTURES. KEEP FOR FUTURE REFERENCE.

SAFETY: FOR YOUR SAFETY. THIS FIXTURE MUST BE WIRED IN ACCORDANCE TO LOCAL ELECTRICAL CODES AND ORDINANCES. ALL WORK SHOULD BE DONE BY A QUALIFIED ELECTRICIAN.

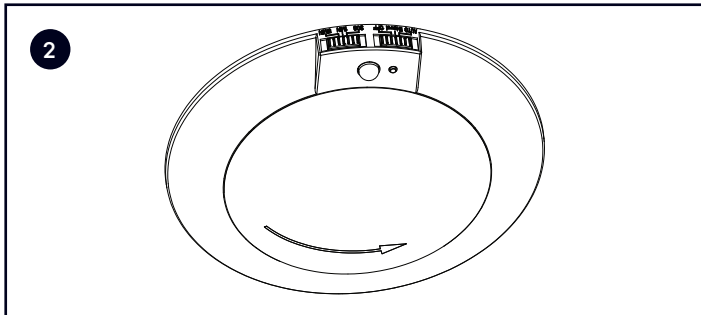
WARNING: MAKE SURE POWER IS OFF FROM THE ELECTRICAL PANEL BEFORE STARTING INSTALLATION OR ATTEMPTING ANY MAINTENANCE. INDOOR INSTALLATION ONLY.

INSTRUCTIONS:

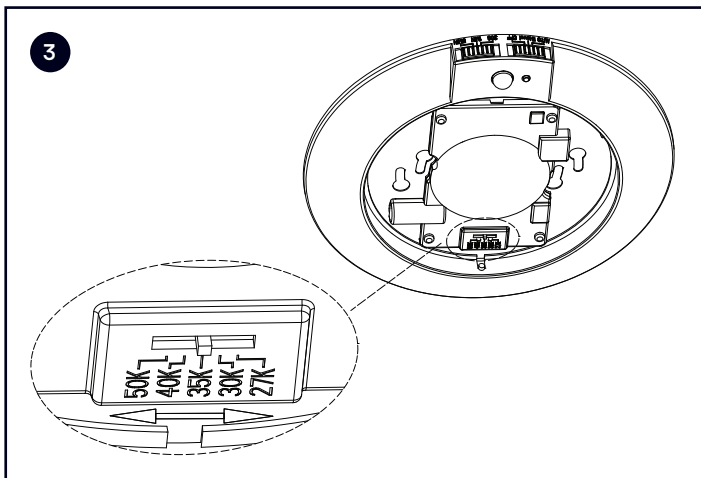
1. Make sure power is turned off and the J-Box fixed on the ceiling surface. Connect the luminaire to supply wires with wire nut. Wire nut live (black) wire with Disk Light black wire, and wire nut neutral (white) wire with Disk Light white wire. Wire nut ground (green) with Disk Light ground (green) wire.



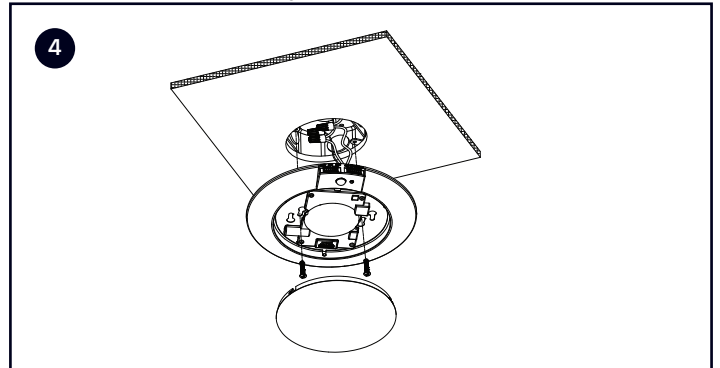
2. Remove lens by turning counter clockwise to unlock



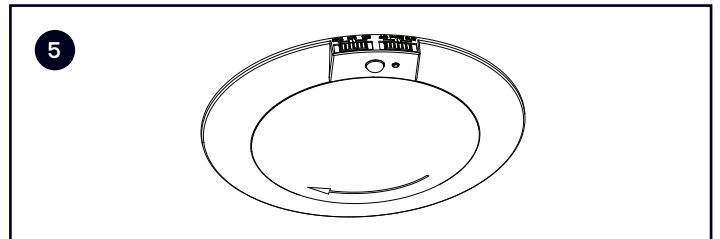
3. Select desired CCT.



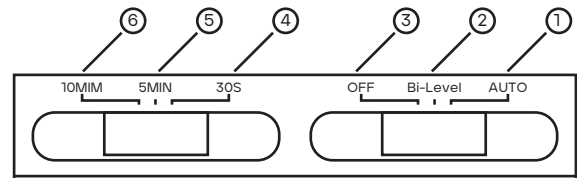
4. Safely place all wires into the junction box, mount luminaire to the junction box and screws through the keyhole slots.



5. Replace lens and twist clockwise to lock.



ADJUSTABLE PIR SENSOR SETTINGS



Self check function: turn on at the first time, if no movement is detected within 12 seconds, the light will turn off.

- "AUTO": Fixture on and PIR active, the switch w/ hold-on function, but w/o stand-by function
a) Select @30S: PIR triggered, fixture hold-on 30S @100% brightness, then off
b) Select @5Min: PIR triggered, fixture hold-on 5Min @100%, then off
c) Select @10Min: PIR triggered, fixture hold-on 10Min with 100% brightness, then off
- "Bi-level": PIR active, the switch w/ hold-on & stand-by function
a) Select @30S: PIR triggered, fixture hold-on 30S @100% brightness, stand-by 30S @50% brightness, then off;
b) Select @5Min: PIR triggered, fixture hold-on 5Min @100% brightness, stand-by 5Min @50% brightness, then off;
c) Select @10Min: PIR triggered, fixture hold-on 10Min @100% brightness, stand-by ∞ @50% brightness;
- "OFF" of dip-switch: PIR and light sensor disabled, fixture works as a regular light

Remark: AUTO and Bi-level switch: When the illuminance of the natural light lower than 65-75 lux, the light sensor will be turned off, and will trigger PIR sensor; When the natural light illuminance exceeds 75-85 lux, the light sensor will trigger and the fixture can't light up.