

SOLIDRIVE MAX

Constant Voltage
 Phase-Cut Dimmable LED Driver
 (ELV / MLV / 0-10V)

Specification Sheet

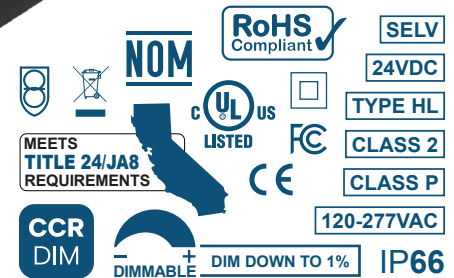
The SoliDrive Max is a Constant Voltage Class 2 rated UL Listed driver. The drivers with enclosures have a built-in junction box on both the input and output. These drivers are IP66 and UL2043 plenum rated and are suitable for both indoor and outdoor installations. With universal input voltage ranging from 120 to 277VAC, the SoliDrive Max Driver is designed for residential, commercial and industrial applications. The dimmers deliver smooth flicker-free dimming down to 1% with most LEDs and compatible with a wide variety of dimmers. As always, a 5-year warranty is a standard on all of Magnitude's products.

Key Features

- Forward & Reverse Phase-Cut Dimming or 0-10V Dimming
- Smooth Flicker-Free Dimming, Down To 1%
- Universal Input Voltage – 120 to 277VAC
- UL Listed Enclosure – With Built-In Junction Boxes
- IP66 – For Both Indoor & Outdoor Use
- Class 2, Class P
- Hiccup Mode Protection For Short Circuit & Over-Temperature
- Overload Protection



- Product Name:** SoliDrive Max
- Description:** Constant Voltage 3-in-1 MLV/ELV, 0-10V Dimmable LED Driver
- Installation:** Can have integrated junction box with multiple 7/8" knockouts or no junction box with wire leads
- Driver Type:** Class 2 Single Channel
- Dimming:** Phase-cut dimming down to 1% with both Leading Edge (MLV) and Trailing Edge (ELV) dimmers or 0-10V dimming
- Output Dimming Method:** Uses Constant Current Reduction (CCR)
- Input Voltage:** Universal 120VAC to 277VAC, 50/60Hz
- Output Voltage:** 24VDC
- Wattage:** 30W / 60W / 96W
- IP Rating:** IP66
- Listing:** UL Listed
- Certifications:** UL8750, UL2043 Plenum Rated, NOM
- Warranty:** 5-Year



	With Junction Box	Without Junction Box
Length	12.10" (307.34mm)	7.50" (190.5mm)
Width	2.36" (59.94mm)	2.36" (59.94mm)
Height	1.40" (35.6mm)	1.40" (35.6mm)

ORDERING GUIDE			
Type	Max Power	Listing	Output
VPD	30 – 30W 60 – 60W 96 – 96W	L – With Junction Box R – Without Junction Box	24 – 24VDC

SOLIDDRIVE MAX

Constant Voltage
Phase-Cut Dimmable LED Driver
(ELV / MLV / 0-10V)

Specification Sheet

Customer Service

Phone: (714) 312-5080

Fax: (714) 312-5070

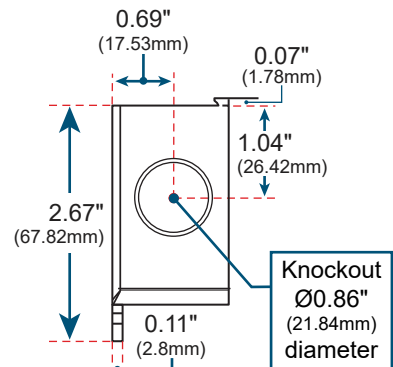
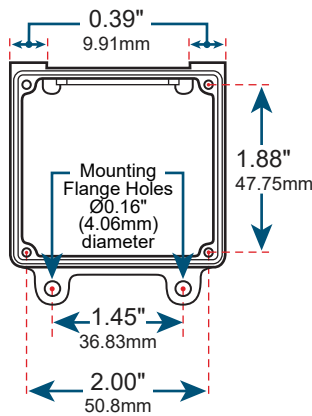
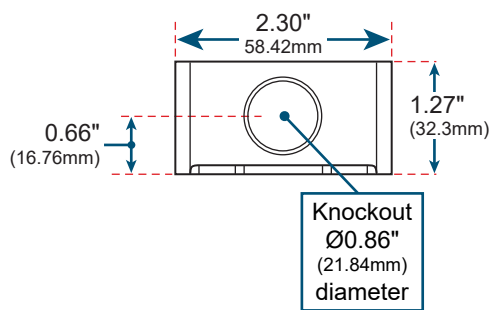
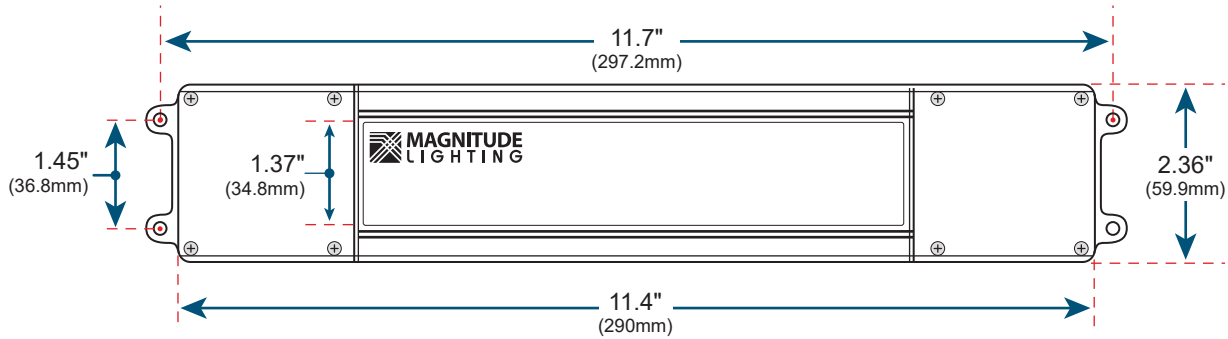
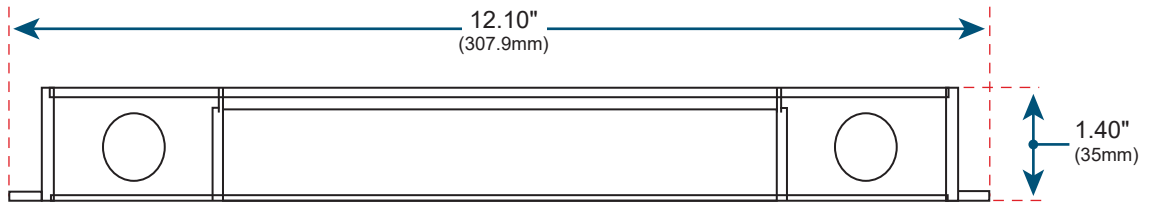
E-mail: CustomerCare@magnitudeinc.com

SPECIFICATIONS

Input			
Input Voltage Range	100 to 277VAC \pm 10%	100 to 277VAC \pm 10%	100 to 277VAC \pm 10%
Input Frequency	50 / 60Hz	50 / 60Hz	50 / 60Hz
Input Current	0.98A Max	0.98A Max	0.98A Max
Inrush Current	< 40A Max @ 120VAC	< 40A Max @ 120VAC	< 40A Max @ 120VAC
Efficiency	> 86% Max	> 86% Max	> 86% Max
Power Factor	277VAC, > 0.90 120VAC, > 0.95	277VAC, > 0.90 120VAC, > 0.95	277VAC, > 0.90 120VAC, > 0.95
THD	< 20%	< 20%	< 20%
Output			
Output Voltage	24VDC	24VDC	24VDC
Maximum Load	30W	60W	96W
Minimum Load	5W	5W	5W
Output Current @ Max. Load	1.3A	2.6A	4.1A
Output Dimming Method	CCR	CCR	CCR
Output Ripple	< 10%	< 10%	< 10%
Line Regulation	\pm 2.5%	\pm 2.5%	\pm 2.5%
Load Regulation	\pm 5%	\pm 5%	\pm 5%
Turn On Delay Time	< 0.5 sec	< 0.5 sec	< 0.5 sec
Environmental			
Env. Protection Rating	IP66	IP66	IP66
Ambient Operating Temp.	-25°C to +40°C (-13°F to 104°F)	-25°C to +40°C (-13°F to 104°F)	-25°C to +40°C (-13°F to 104°F)
Max. Case Temp. (Tcase)	80°C (176°F)	80°C (176°F)	80°C (176°F)
Storage Temperature	-40°C to +85°C (-40°F to 185°F)	-40°C to +85°C (-40°F to 185°F)	-40°C to +85°C (-40°F to 185°F)
Expected Lifetime	\geq 50,000 hrs @Tc \leq 75	\geq 50,000 hrs @Tc \leq 75	\geq 50,000 hrs @Tc \leq 75
Audible Noise	< 24 dB Class A	< 24 dB Class A	< 24 dB Class A
Dimming (Dimming Models Only)			
Dimming Style	Phase-Cut or 0-10V	Phase-Cut or 0-10V	Phase-Cut or 0-10V
Minimum Dimming Level	1%	1%	1%
Dimming Curve	Linear	Linear	Linear
Compliance	0-10V Dimming Compliant with ANSI C137.1	0-10V Dimming Compliant with ANSI C137.1	0-10V Dimming Compliant with ANSI C137.1
Protection			
Over Current Protection	Yes	Yes	Yes
Over Voltage Protection	Yes	Yes	Yes
Over Temp. Protection	Yes / Hiccup Mode	Yes / Hiccup Mode	Yes / Hiccup Mode
Overload Protection	Yes / Current Limit	Yes / Current Limit	Yes / Current Limit
Short Circuit Protection	Yes / Current Limit	Yes / Current Limit	Yes / Current Limit

MECHANICAL DIAGRAMS

WITH Integrated Junction Box



SOLIDRIVE MAX

Constant Voltage
Phase-Cut Dimmable LED Driver
(ELV / MLV / 0-10V)

Specification Sheet

Customer Service

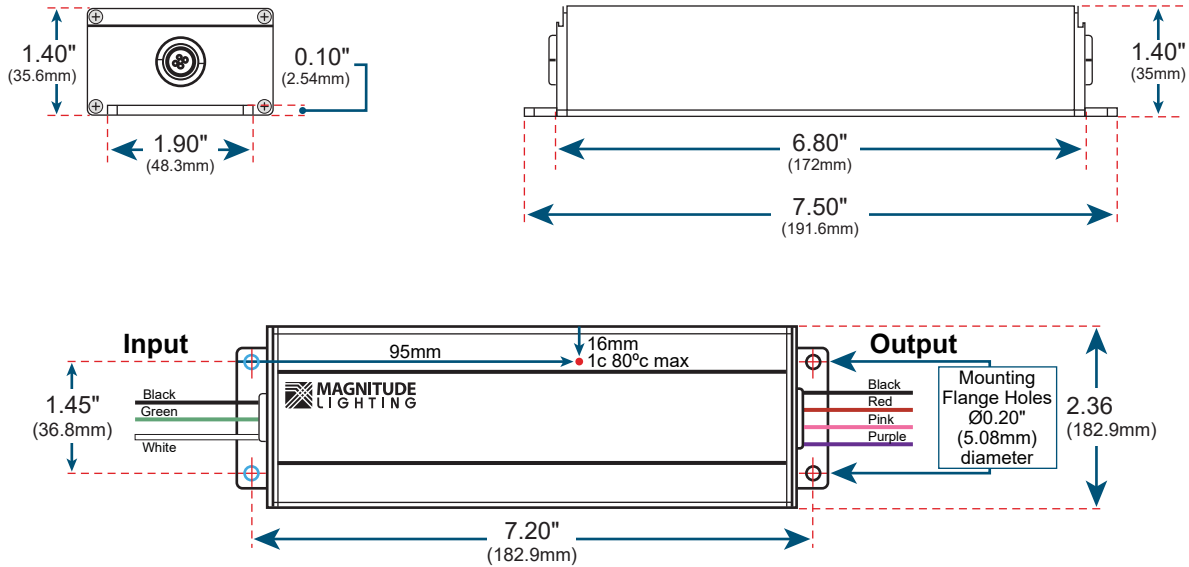
Phone: (714) 312-5080

Fax: (714) 312-5070

E-mail: CustomerCare@magnititudeinc.com

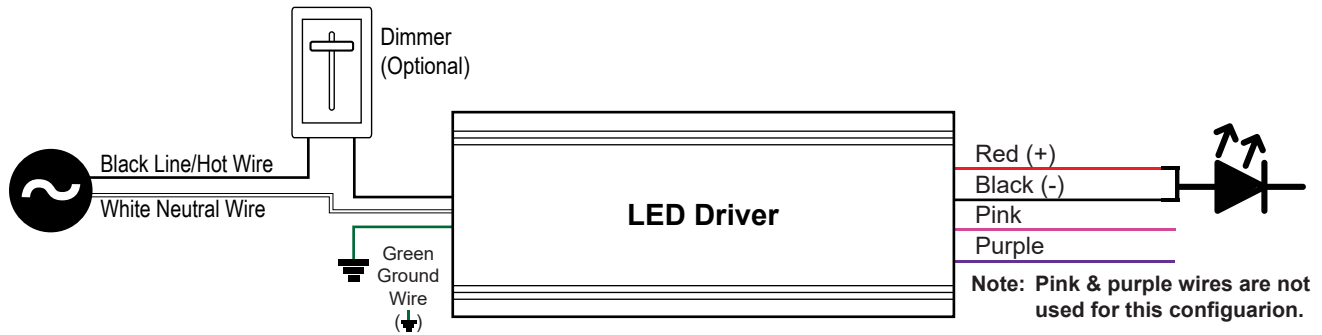
MECHANICAL DIAGRAMS

WITHOUT Integrated Junction Box



WIRING DIAGRAMS

Phase-Cut Dimmable Configuration



0-10V Dimmable Configuration

