



VPL100MVHUD-A-4C-xxx	
1Driver Type	Constant Current Programmable LED Driver
No. of Channels	4
Input Voltage	120-277 V
Input Frequency	50-60 Hz
Dimming	0-10V and 3 level Dual Relay

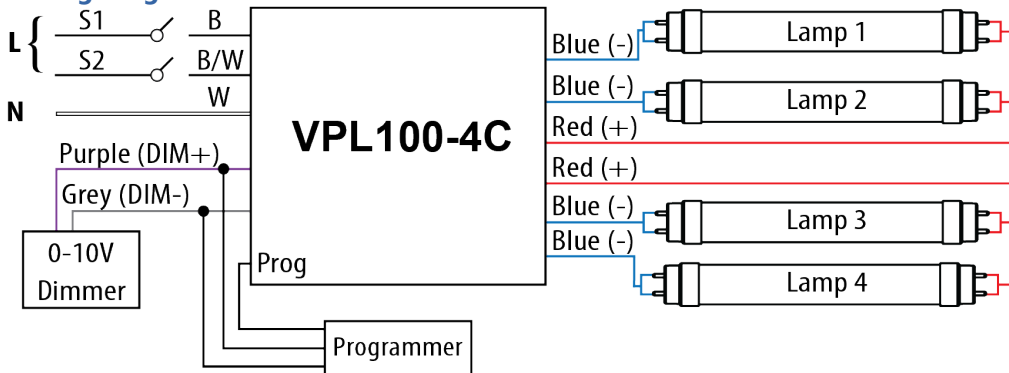
Features	
•	Universal Voltage (120-277V)
•	Multiple Output Channels
•	Constant Current
•	Per channel 200mA - 500mA
•	0-10V and 3 level Dual Relay
•	Integrates with Adaptive Lighting Control Systems
•	Compatible with LED modules and Coretech LED tubes
•	UL, cUL, UL8750 Class 2
•	FCC Part 15 Class A
•	Operating Temperature: -22°F to 122°F
•	Storage Temperature: -40°F to 131°F



CoreTech VPL PRODUCT SPECIFICATIONS

OUTPUT		INPUT	
No. of Channels	3 4	Frequency	50-60Hz
No. of Coretech LED Lamps	3 4	Input Voltage (range)	120-277 VAC
Output Voltage (Range)	25-50VDC	Power Factor (min.)	0.9 @ full load 277VAC
Output Current Range (Programmable @ full load)	200mA - 500mA	THD (max.)	20% @ full load 110AC
Total Rated Power	80W	Efficiency (typical)	0.86

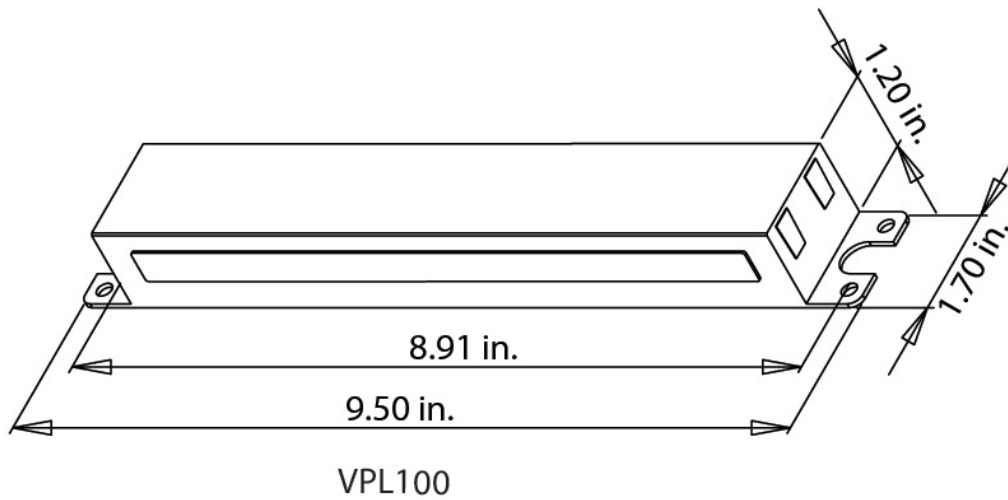
Wiring diagram



Step-Dimming
(AB Switch Dimming)

Light Level	S1	S2
100%	ON	ON
50%*	ON	OFF
25%*	OFF	ON
0%	OFF	OFF

Dimension



Specification data is based on tests performed in a controlled environment and represents relative performance. Actual performance can vary depending on operating conditions. Application and performance data subject to change without notice. All specifications are nominal unless noted otherwise.

Espen Technology, Inc. | 12257 Florence Avenue | Santa Fe Springs, CA 90670 | Phone: (562) 529-2938 | Fax: (562) 529-2978
Toll Free: (866) 933-7736 | Email: info@espentech.com | www.espentech.com