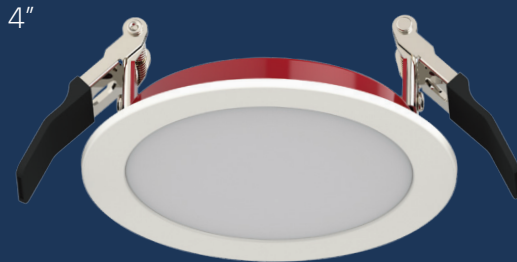
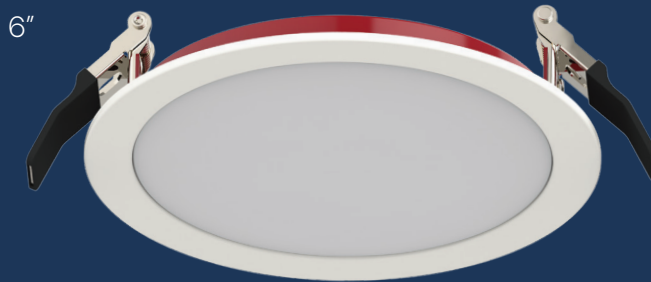


LUXRITE®

LED CANLESS - SPOTLIGHT



LR23496



LR23497

2 HOUR FIRE RATING

TESTED TO COMPLY WITH UL 263
ASTM E119 & CAN ULC S101

CRI
90

COLOR SELECTABLE

2700K 3000K 3500K 4000K 5000K

2 HOUR
FIRE RATED

DIMMABLE
TRIAC

IC
RATED

AIR
TIGHT

WET
LOCATION
RATED

120V

5
YEAR
WARRANTY

ETL
US
Intertek

UL
CERTIFIED

ENERGY STAR

2022 TITLE 6
PART 6

LR23496

LED/MINI4/FIRE/50CCT/RD/WT/2



APERTURE	4"
DISTRIBUTION	FIXED
APPLICATION	NEW CONSTRUCTION/REMODEL

ELECTRICAL

POWER	10W
INPUT VOLTS	120V
INPUT CURRENT	90mA
FREQUENCY	60Hz
DIMMING TYPE	TRIAC
DIMMING RANGE	10-100%
FEED WIRE GAUGE	22AWG
BREAKER SPECIFICATION *(15A @120V)	119pcs*

*Mathematically estimated value. Actual capacity may vary by breaker type and installation environment.

PHOTOMETRIC

COLOR CCT	2700K/3000K/3500K/4000K/5000K
CRI	90
LUMEN	820lm
EFFICACY	80lm/w
BEAM ANGLE	110°

CERTIFICATIONS & SAFETY

LR23496	UL, ENERGY STAR, TITLE 24
WET LOCATION	YES
IC RATED	YES
AIR TIGHT	YES
OPERATING TEMP.	-4°F to 104°F
COST/YR	\$ 1.20
WARRANTY	5 YR

MATERIAL & APPLICATION

MATERIAL	HEAT RESISTANT STEEL CASING
LENS	PC
CUTOUT	Ø3.89"
MOUNTING TYPE	RECESSED
AREA OF APPLICATION	RESIDENTIAL, COMMERCIAL
CEILING TYPE	DRYWALL/WOOD

DRIVER

	POWER	INPUT VOLTS	INPUT CURRENT	FREQUENCY	INPUT POWER	OUTPUT VOLTAGE	DIMENSIONS	KNOCKOUTS
INCLUDED DRIVER	10W	120-277V	90mA	60Hz	10W max	36V DC	4.5"L X 3"W X 1.25"H	4

MODEL	DESCRIPTION	EM POWER	INPUT VOLTS	INPUT CURRENT	FREQUENCY	INPUT POWER	OUTPUT VOLTAGE	RECHARGE TIME	EMERGENCY TIME
LR35126**	LED/EMR/15W/AC/SF/E	15	100-347V	100mA	50/60Hz	12W max	170V DC	24HR	90MINS

*AMBIENT TEMPERATURE: 41°F ~ 122°F
*SOLD SEPARATELY

DIMENSIONS

CUTOUT: Ø3.89"

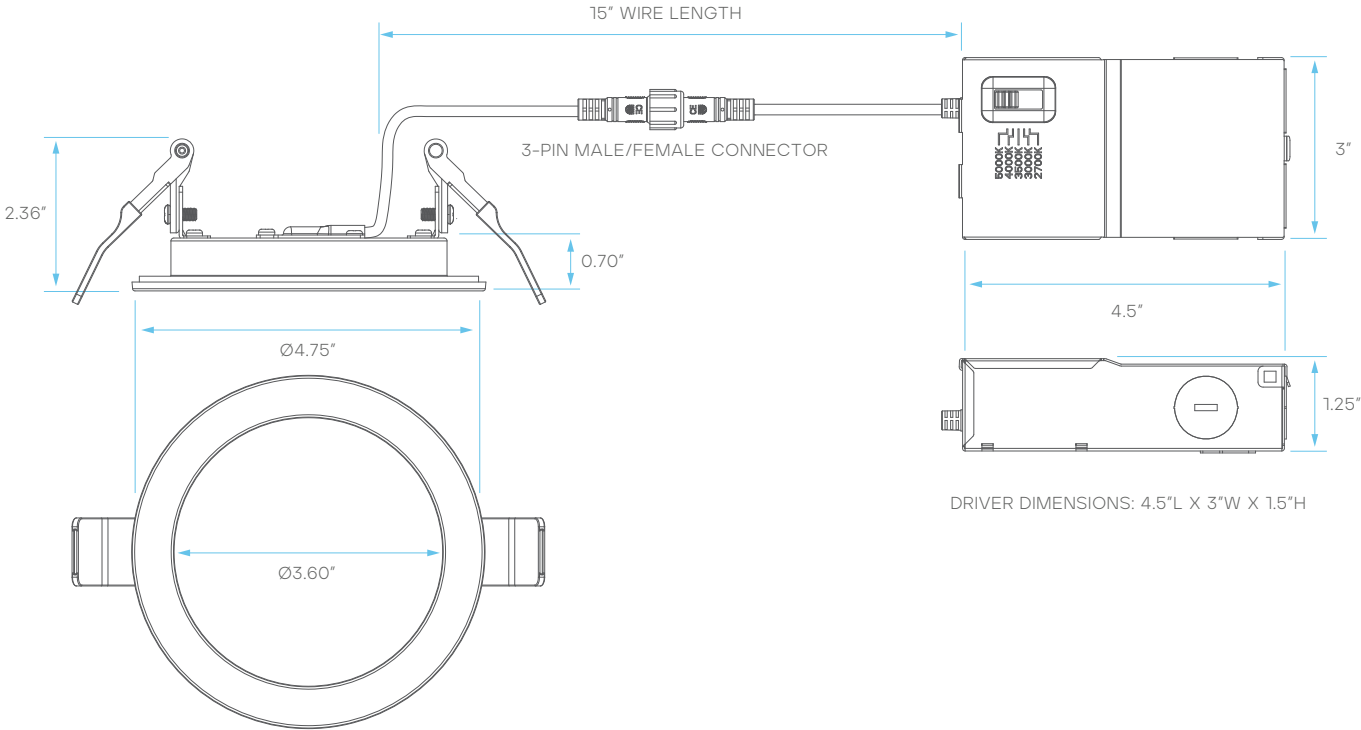
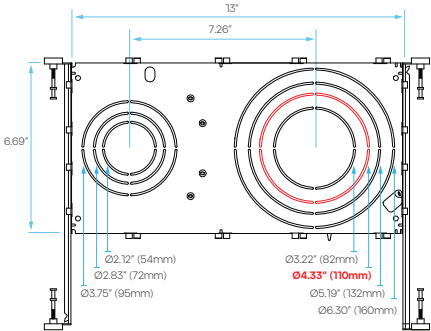


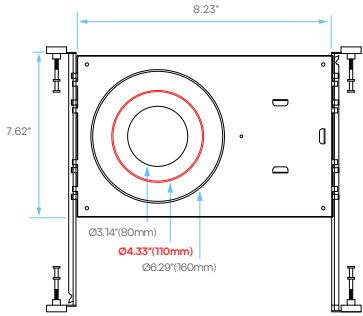
PLATE COMPATIBILITY*

*SOLD SEPARATELY

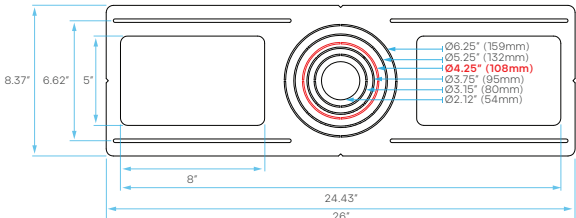
LR41010
KNOCKOUT
R1



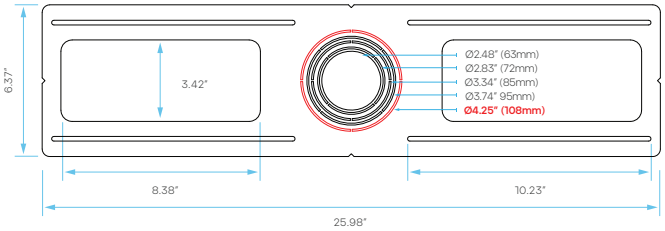
LR41002
KNOCKOUT
1



LR41006
KNOCKOUT
3



LR41011
KNOCKOUT
4



LR23497

LED/MINI6/FIRE/5CCT/RD/WT/2



APERTURE	6"
DISTRIBUTION	FIXED
APPLICATION	NEW CONSTRUCTION/REMODEL

ELECTRICAL

POWER	13W
INPUT VOLTS	120V
INPUT CURRENT	120mA
FREQUENCY	60Hz
DIMMING TYPE	TRIAC
DIMMING RANGE	10-100%
FEED WIRE GAUGE	22AWG
BREAKER SPECIFICATION *(15A @120V)	92pcs*

*Mathematically estimated value. Actual capacity may vary by breaker type and installation environment.

PHOTOMETRIC

COLOR CCT	2700K/3000K/3500K/4000K/5000K
CRI	90
LUMEN	1100lm
EFFICACY	80lm/w
BEAM ANGLE	110°

CERTIFICATIONS & SAFETY

LR23497	UL, TITLE 24, ENERGY STAR
WET LOCATION	YES
IC RATED	YES
AIR TIGHT	YES
OPERATING TEMP.	-4°F to 104°F
COST/YR	\$ 1.56
WARRANTY	5 YR

MATERIAL & APPLICATION

MATERIAL	HEAT RESISTANT STEEL CASING
LENS	PC
CUTOUT	Ø6"
MOUNTING TYPE	RECESSED
AREA OF APPLICATION	RESIDENTIAL, COMMERCIAL
CEILING TYPE	DRYWALL/WOOD

DRIVER

	POWER	INPUT VOLTS	INPUT CURRENT	FREQUENCY	INPUT POWER	OUTPUT VOLTAGE	DIMENSIONS	KNOCKOUTS
INCLUDED DRIVER	13W	120V	120mA	60Hz	13W max	36V DC	4.5"L X 3"W X 1.5"H	4

MODEL	DESCRIPTION	EM POWER	INPUT VOLTS	INPUT CURRENT	FREQUENCY	INPUT POWER	OUTPUT VOLTAGE	RECHARGE TIME	EMERGENCY TIME
LR35126**	LED/EMR/15W/AC/SF/E	15	100-347V	100mA	50/60Hz	12W max	170V DC	24HR	90MINS

*AMBIENT TEMPERATURE: 41°F ~ 122°F

**SOLD SEPARATELY

DIMENSIONS

CUTOUT: Ø6"

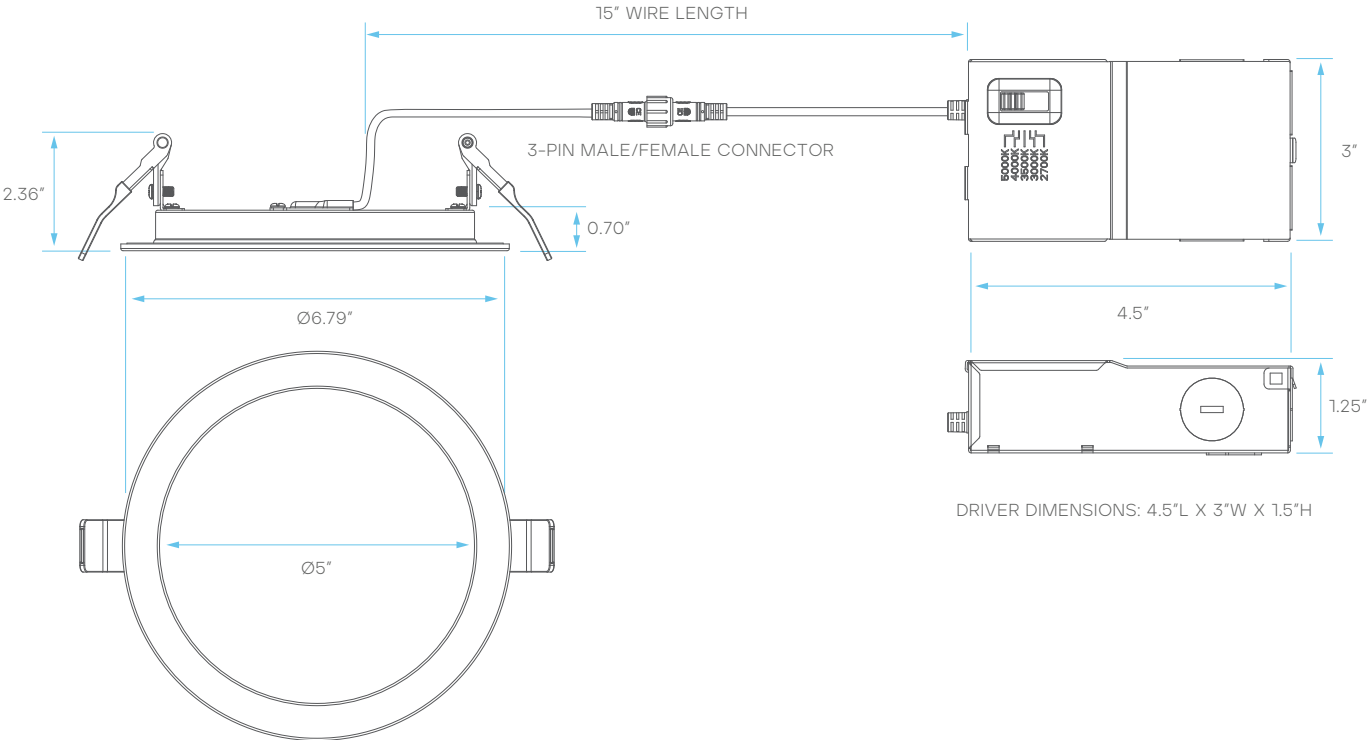
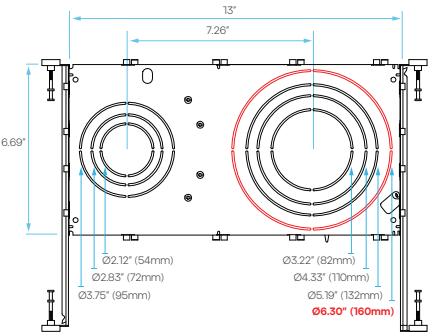


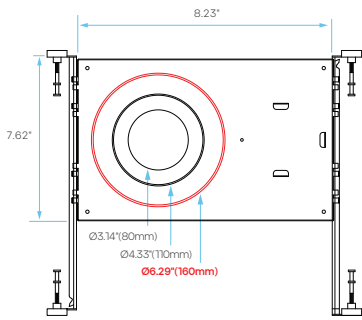
PLATE COMPATIBILITY*

*SOLD SEPARATELY

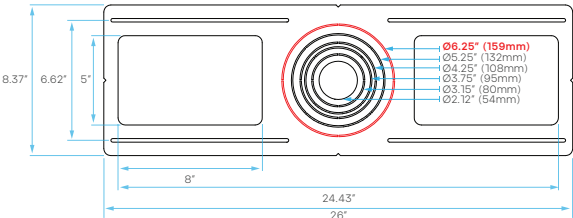
LR41010
KNOCKOUT
R3



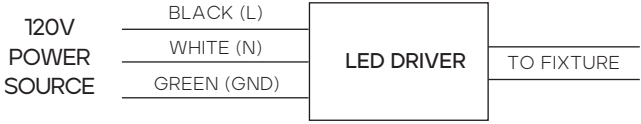
LR41002
KNOCKOUT
2



LR41006
KNOCKOUT
5



WIRING DIAGRAM



SUGGESTED COMPATIBLE DIMMER*

LUTRON	CTCL-153P
	DVCL-153PDH
	DVCL-153P
LEVITON	6672
	6674
PASS & SEYMOUR	HCL453PTCCCV6

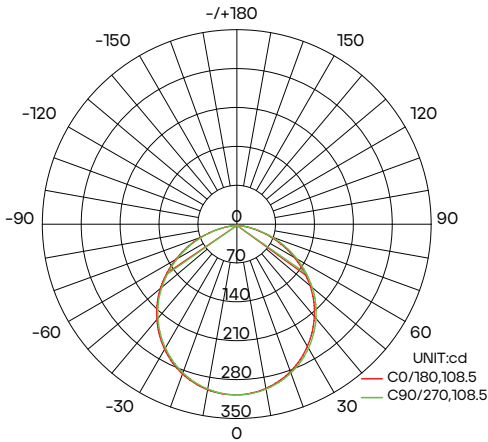
*Dimmer performance may vary based on load, wiring, and installation conditions. Inclusion on this chart does not guarantee compatibility for every installation, and omission does not indicate incompatibility. Refer to the dimmer manufacturer's installation instructions and verify minimum load requirements to avoid field issues.

PACKAGING

MODEL	STYLE	INNER BOX DIMENSIONS	MASTER CARTON DIMENSIONS	CASE
LR23496	INNER BOX + MASTER CARTON	5.82" X 2.75" X 5.43"	12" X 8.58" X 5.82"	6
LR23497	INNER BOX + MASTER CARTON	7.87" X 2.67" X 6.92"	16.06" X 8.46" X 7.32"	6

LuxiFlow™ PHOTOMETRICS

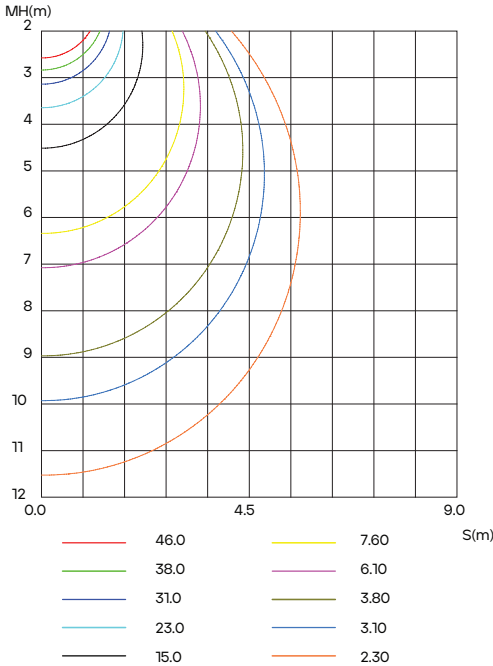
LUMINOUS INTENSITY DISTRIBUTION DIAGRAM



AVERAGE BEAM ANGLE(50%): 108.5 DEG

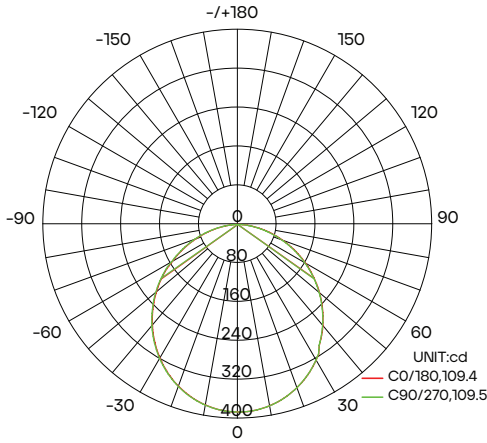
*DIAGRAM SHOWING LR23496 AT 5000K

C0 PLANE ISOLUX DIAGRAM (UNIT: lx)



Luxrite® Luxiflow® tool is for informational purposes only, it is not intended to provide lighting or electrical advice.

LUMINOUS INTENSITY DISTRIBUTION DIAGRAM



AVERAGE BEAM ANGLE(50%): 109.4.0 DEG

*DIAGRAM SHOWING LR23497 AT 2700K

C0 PLANE ISOLUX DIAGRAM (UNIT:lx)

