

# Transformers

## AUTO-TRANSFORMER 71A9843600



Stepdown transformers and autotransformers are used when you need to connect a lower voltage device to a higher voltage source.

### Product data

#### • General Information

Circuit Type	Transformer
Ballast Type	Magnetic HID
Base Model	71A9843
Core Size	7/8" E/I
Suitable For Outdoor Use	Yes

#### • Operating and Electrical

Input Voltage	347:190 or 480:270 V
Input Frequency	60 Hz
Input Current (Nom)	1 A
Rated Lamp Power	350 VA load W

#### • Wiring

Wire Striplength	0.5 mm
Wire Length By Color	12"
Wire Type	Stranded
Remote Wiring Configuration Allowed	Yes

#### • Mechanical and Housing

Housing Material	NA
------------------	----

Housing	NA
Housing Dimensions	NA

#### • Approval and Application

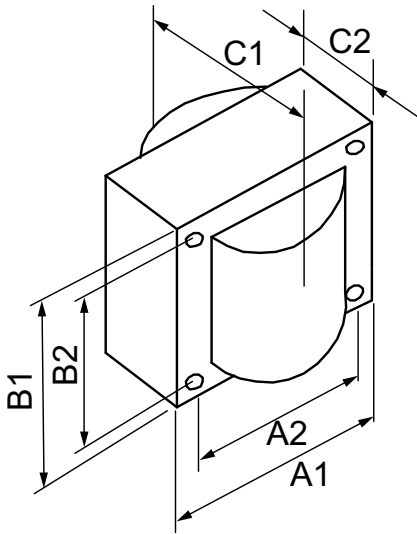
Approval Marks	ULR CSA certificate RoHS Compliant
Temperature Marking	NA
UL Recognized	Yes
UL Insulation Class	H(180°C)
UL Temperature Code	NA

#### • Product Data

Order product name	AUTO-TRANSFORMER 71A9843600
EAN/UPC - Product	781087069110
Order code	913710663402
Numerator - Quantity Per Pack	1
Numerator - Packs per outer box	16
Material Nr. (12NC)	913710663402
Net Weight (Piece)	1.665 kg

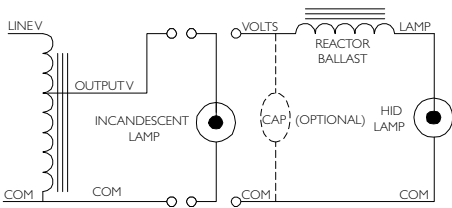
**PHILIPS**

## Dimensional drawing



### AUTOXFMR 480:277 350VA C&C

Product	C1	C2	A1	A2	B1	B2
AUTO-TRANSFORMER 71A9843600	3.6 in	2.35 in	2.6 in	2.2 in	2.2 in	1.8 in



© 2015 Koninklijke Philips N.V. (Royal Philips)  
All rights reserved.

Specifications are subject to change without notice. Trademarks are the property of Koninklijke Philips N.V. (Royal Philips) or their respective owners.

[www.philips.com/lighting](http://www.philips.com/lighting)

2015, November 29  
data subject to change